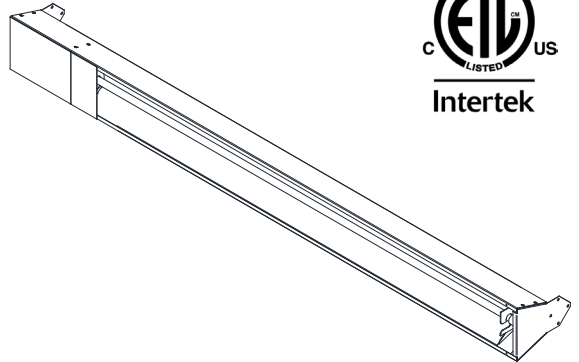




OCH SERIES
Indoor/Outdoor Rated Quartz
Electric Infrared Heaters



CUSTOMER		DATE:	
PROJECT			
LOCATION			
ARCHITECT			
ENGINEER			
CONTRACTOR			
SUBMITTED BY			
APPROVED BY			
APPROVED BY			

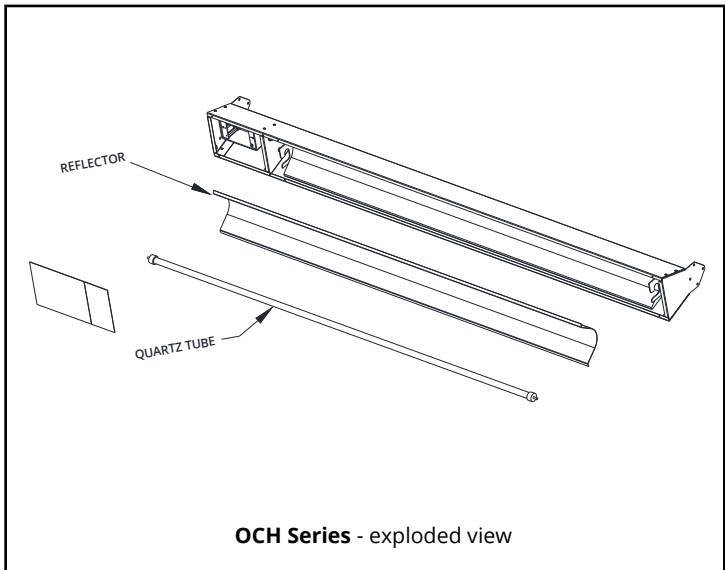
SUBMITTAL DATA SHEET

QTY	MODEL	TAG	WATTAGE	VOLTS	PHASE	AMPS	TOTAL KW	ACCESSORIES	BRACKET	FINISH

NOTES/SPECIAL INSTRUCTIONS:

Features:

- Frosted Quartz Tube heating element (included)
- Listed for suspended, totally exposed (outdoor) and indoor spot heating applications
- Finish: High-temp brown powder coated finish or corrosion resistant stainless steel 24 gauge housing
- 60° Symmetric heat pattern
- Gold anodized Aluminum reflector and end caps
- Painted models are direct wire, unless specified and are supplied with 6" lead wires for field connection in the internal wiring compartment. These models are available with a factory installed 6' cord set. The 208V model must have a field supplied plug.
- Stainless steel models include an electrical enclosure assembled to the end of the heater housing and (2) 6" long lead wires for direct field connection.
- Two 2' ft. long mounting chains and four S-Hooks included
- The OCH-Series can be surfaced mounted using the supplied mounting brackets which allow up to a 45° horizontal tilt adjustment.
- Made in U.S.A.



FINISH - BROWN		FINISH - STAINLESS Steel		CONNECTION TYPE	WATTS	BTUs	VOLTS	AMPS	Qtz. Tube Repl. Element	WT. (LBS)
Includes Electrical Enclosure										
MFG CATALOG NUMBER	MFG MODEL NUMBER	MFG CATALOG NUMBER	MFG MODEL NUMBER							
04804402	OCH-46-120VE	04805202	OCH-46-120V-SSE	Hard Wire	1500	5120	120	12.5	671-3784	10
04804502	OCH-46-208VE	04805302	OCH-46-208V-SSE		2000	6826	208	9.6	671-5061	
04804602	OCH-46-240VE	04805402	OCH-46-240V-SSE		2000	6826	240	8.3	671-3785	
04804702	OCH-46-277VE	04805502	OCH-46-277V-SSE		2000	6826	277	7.2	671-5018	
04804902	OCH-57-208VE	04805702	OCH-57-208V-SSE		3000	10239	208	14.4	671-5060	12
04804802	OCH-57-240VE	04805602	OCH-57-240V-SSE		3000	10239	240	12.5	671-3786	
04805002	OCH-57-277VE	04805802	OCH-57-277V-SSE		3000	10239	277	10.8	671-5059	
04805102	OCH-57-480VE	04805902	OCH-57-480V-SSE		2250	7679	480	4.7	671-5058	
04859702	OCH-46-120VCE	---	---	Corded	1500	5120	120	12.5	671-3784	11
04859802	OCH-57-208VCE	---	---		3000	10239	208	14.4	671-5061	13
04859902	OCH-57-240VCE	---	---		3000	10239	240	12.5	671-3786	

Product Specifications:

Series: OCH-46
 OCH-57

Dimensions:
 Length: 48"; Width: 5.375"; Height: 6.5"
 Length: 59"; Width: 5.375"; Height: 6.5"

Housing:
 24 gauge Aluminized Steel with a baked on brown powder coat finish. Housing is cETLus Listed for indoor or outdoor applications. Horizontal mounting only.

Reflectors and End Caps:
 .040 Gold anodized Aluminum reflectors and end caps for superior reflectiveness. 60 degree medium (symmetric) pattern only.

Elements:
 Quartz Tubes. Frosted quartz envelope with a Nickel-Chromium coiled filament, porcelain end caps, and threaded-screw (stud) terminations. Fast heat-up and cool-down performance. Available Wattages from 1500 to 3000 Watts per element. Available voltages from 120 to 480 Volts.

Controls:
 OCH Series heaters are not manufactured with any control device on the unit. All controls are accessories and should be specified as such. Please consult the technical sales department of factory for help in determining applicable controls. Please follow installation instructions that accompany each heater.

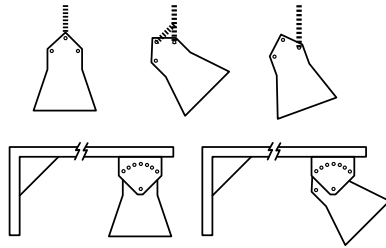
Accessories:
 Adjustable mounting brackets (stainless steel only), vertical mounting brackets (stainless steel only), wire guards, thermostats, SCR controllers, and power contactor panels.

MOUNTING CLEARANCES	RECOMMENDED MOUNTING HEIGHT	
3" from ceiling; 12" from vertical surface 72" from face of heater to combustible surface 36" from another heater	OCH-46	7'-9'
	OCH-57	8'-10'

Mounting:

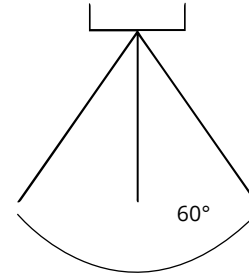
- Chain, surface mount or use our vertical mounting bracket as shown below. Note: All units must be mounted horizontally.
- In-Built surface mounting bracket allows for fixture adjustment up to a 45° horizontal tilt.
- As shown, the heater may be suspended at any horizontal angle desired.

Chain Mount:
(Chain supplied)



Optional Vertical Mounting Bracket:
Model # VMB-41-SS

Reflector Pattern:



MOUNTING HEIGHT	HEATER MFG MODEL	WATTS	HEAT PATTERN COVERAGE (AT FLOOR LEVEL)			TOTAL WATTS / SQ. FT.
			LENGTH	WIDTH	SQ. FT.	
7'	OCH-46	1500	11	9	99	15.2
		2000	11	9	99	20.2
8'	OCH-46	1500	12	10	120	12.5
		2000	12	10	120	16.7
	OCH-57	3000	13	10	130	23.1
		2250	13	10	130	17.3
	OCH2-55	4000	16	10	160	25.0
OCH2-66	6000	17	10	170	35.3	
9'	OCH-46	1500	13	11	143	10.5
		2000	13	11	143	14.0
	OCH-57	3000	14	11	154	19.5
		2250	14	11	154	14.6
10'	OCH-57	3000	15	12	180	16.7
		2250	15	12	180	12.5
	OCH2-55	4000	19	13	247	16.2
	OCH2-66	6000	20	13	260	23.0
12'	OCH-57	3000	17	14	238	12.6
		2250	17	14	238	9.5
	OCH2-55	4000	22	15	330	12.1
	OCH2-66	6000	23	15	345	17.4
14'	OCH2-55	4000	25	17	425	9.4
	OCH2-66	6000	26	17	442	13.6

Product Accessories:

MFG CATALOG NUMBER	MFG MODEL NUMBER	DESCRIPTION	FOR USE WITH	WT. (LBS)
04808802	OCHWG-46	Stainless Steel Wire Guards	OCH-46 Series Models	2
04808902	OCHWG-57		OCH-57 Series Models	2
08811239	VMB-41-SS	Wall Mtg. Brackets (2)	ALL OCH Models	12
04459402	VHC-15	Variable Heat Controller	120/208/240V OCH Models Only	3
04853502	VHC-32	Variable Heat Controller	208/240V OCH Models Only	3